

Material TPE and Polyamide 66
UL approved material
Integrated cable anchorage,
wide sealing range.
Suitable for holes in materials of
1,5 - 5 mm thickness.
Quick and simple assembly without
the use of tools.

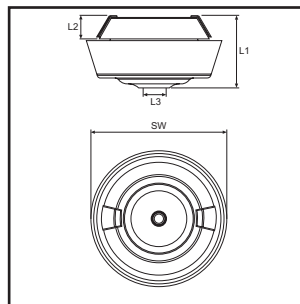
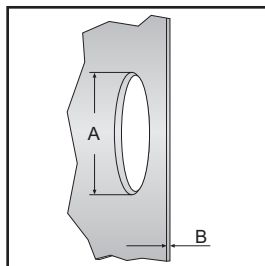
Mode of protection IP67

Temperature range -20°C...+125°C

Test standard EN60529:1991+A1
EN50262:1998
EMKO-TUI (03-SEC) FI001/84
606620

Semko report

Halogen-Free



E-number	Size	For cable/ pipe Ø mm	Anchorage type A* for Cable Ømm	A mm	B mm	B for IP67 mm	L1 mm	L2 mm	L3 mm	SW*** mm	Pcs pack
RAL 7035											
14 758 03	M20	4 - 11	7 - 11	20,5	1,5 - 5	2 - 5	17 - 20	5,7	4,0	29,3 - 34,5	50
14 758 04	M25	4 - 14	7 - 13**	25,5	1,5 - 5	2 - 5	17 - 20	5,7	5,0	34,3 - 40,0	50
14 758 05	M32	11 - 20	NA	32,5	1,5 - 5	NA	14 - 18	5,3	5,5	41,7 - 47,5	25
RAL 9005											
14 758 13	M20	4 - 11	7 - 11	20,5	1,5 - 5	2 - 5	17 - 20	5,7	4,0	29,3 - 34,5	50
14 758 14	M25	4 - 14	7 - 13**	25,5	1,5 - 5	2 - 5	17 - 20	5,7	5,0	34,3 - 40,0	50
14 758 15	M32	11 - 20	NA	32,5	1,5 - 5	NA	14 - 18	5,3	5,5	41,7 - 47,5	25
RAL 9010											
14 758 23	M20	4 - 11	7 - 11	20,5	1,5 - 5	2 - 5	17 - 20	5,7	4,0	29,3 - 34,5	50
14 758 24	M25	4 - 14	7 - 13**	25,5	1,5 - 5	2 - 5	17 - 20	5,7	5,0	34,3 - 40,0	50
14 758 25	M32	11 - 20	NA	32,5	1,5 - 5	NA	14 - 18	5,3	5,5	41,7 - 47,5	25
RAL XYZ											
TKS M20 XYZ	M20	4 - 11	7 - 11	20,5	1,5 - 5	2 - 5	17 - 20	5,7	4,0	29,3 - 34,5	50
TKS M25 XYZ	M25	4 - 14	7 - 13**	25,5	1,5 - 5	2 - 5	17 - 20	5,7	5,0	34,3 - 40,0	50
TKS M32 XYZ	M32	11 - 20	NA	32,5	1,5 - 5	NA	14 - 18	5,3	5,5	41,7 - 47,5	25

NA - Not available at time of printing.

* Cable Anchorage Type A, according to EN 50262.

** 8,1 - 8,9 mm only approved for tension relief.

*** Varies depending on the thickness of material installed in.

Please observe that the measurements in the table above are preliminary for size M32, SEMKO-test to be performed.

RUTASEAL Rubber Grommets

RUTASEAL is very simple to use and demands no tools, which in turn means lower work cost. It requires no screwdriver or scissors to make the hole, which otherwise would endanger the IP Class seal. **RUTASEAL** is SEMKO tested for IP67 internally and externally. The chloroprene version is also DNV approved. **RUTASEAL** is produced in EPDM and Chloroprene in both PG and Metric. The seals are produced in black, light grey and grey. **RUTASEAL** has a very high finish and the automatic method of production guarantees the same even and high quality on all products.



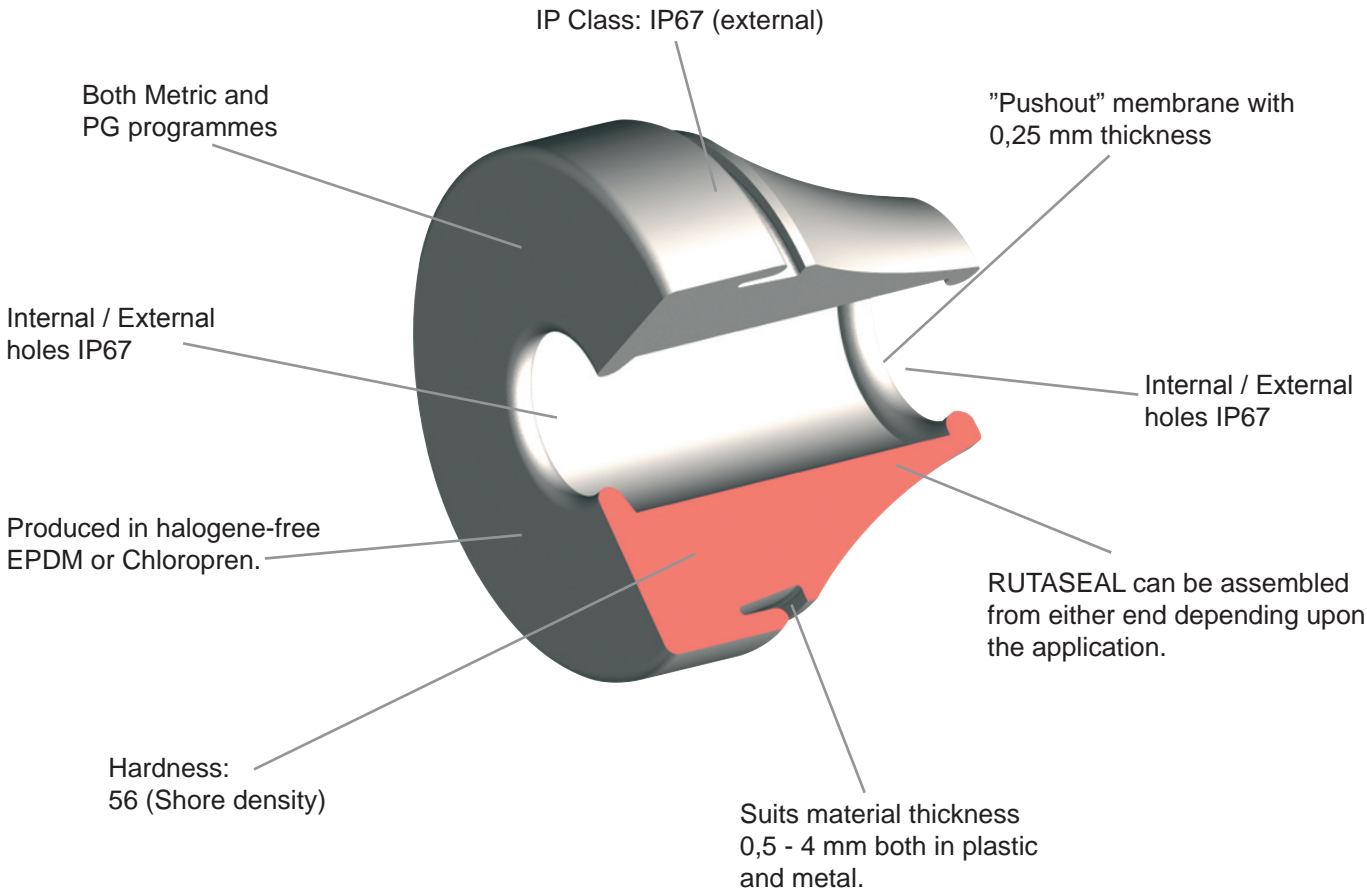
What makes Rutaseal different from other grommets?

1. Totally automated production in all phases.
2. Production method guarantees an exact quality on all types at all times, also giving a very aesthetically pleasing product.
3. No tool is required at application, thereby lower workcost. No screwdriver required to make a hole, which often makes an uneven hole adventuring proofing. No scissors to cut off a teat, which often gives wrong size for guaranteed proofing.
4. Complete programme of PG and Metric sizes. Available in black, grey or light grey, and in Chloroprene for applications in tougher environments.
5. A superior grommet, both economically and in quality.
6. SEMKO approved for IP67, both internally (entry and exit) and externally.
7. DNV approval for chloroprene version.
8. Our new packaging-line allows for customer specified package -size and -labels, should standard sizes and labels not fit your needs.

Why choose a rubber grommet instead of a plastic cable gland?

1. Less affected by weather, UV-light and ozone – less inclined to dry up, crack and come lose.
2. More resistant to acids (Phosphoric, Saltpeter, Hydrochloric & Sulphuric).
3. Handles larger temperature span than most glands.
4. Quick and easy installation from one side only — not necessary to be able to reach opposite side of installation to attach locknut.
5. Ideal where space is restricted - less protrusion and space needed.
6. Ergonomically better, no negative effect on wrists since it does not need to be screwed into place.
7. Superior to cable gland up to IP67, except where strain relief is at a premium. Less work and time needed for installation compared to a cable gland - thus lower cost.
8. The opening is always sealed until the membrane is pushed out – no need for stop plugs or blind plugs in the mean time, which creates extra costs.
9. More economic solution.

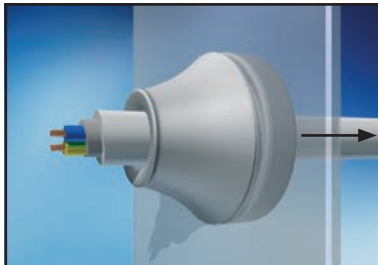
Product features Rutaseal® & Rutaseal Light®



Push the grommet into the hole.

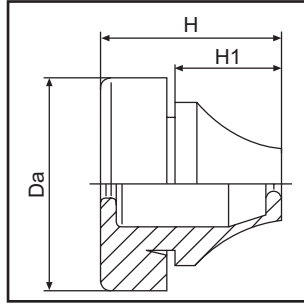


Pierce the grommet with the cable.



The grommet is the locked in position by pulling it back about a centimetre.

RUTASEAL® EPDM Metric



Material

EPDM

Resistant to chemicals and weatherproof.

Suitable for holes in materials of 0,5 - 4 mm thickness.

Quick and simple assembly without the use of tools.

Mode of protection

IP67 acc. to EN 60529

Temperature range

-40°C...+110°C

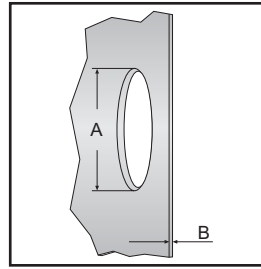
Test standard

SEMKO 44:1984

Semko report

0211038/01-07

Halogen-Free



E-number	Size	For cable/ pipe Ø mm	A mm	B mm	Da mm	H mm	H1 mm	Pcs pack
RAL 7001								
14 582 33	M12	4 - 7	12,5	0,5 - 2	20	12,8	5,6	50
14 582 34	M16	5 - 9	16,5	1 - 4	21	17,7	11	50
14 582 35	M20	8 - 13	20,5	1 - 4	25,5	20	13,4	50
14 582 36	M25	11 - 17	25,5	1 - 4	30,5	21,3	15,3	50
14 582 37	M32	15 - 20	32,5	1 - 4	38,5	24,6	18,6	25
14 582 38	M40	19 - 28	40,5	1 - 4	48,5	29,5	21,7	25
14 582 39	M50	27 - 35	50,5	1 - 4	60,5	34,8	25	10
RAL 9005								
14 582 93	M12	4 - 7	12,5	0,5 - 2	20	12,8	5,6	50
14 582 94	M16	5 - 9	16,5	1 - 4	21	17,7	11	50
14 582 95	M20	8 - 13	20,5	1 - 4	25,5	20	13,4	50
14 582 96	M25	11 - 17	25,5	1 - 4	30,5	21,3	15,3	50
14 582 97	M32	15 - 20	32,5	1 - 4	38,5	24,6	18,6	25
14 582 98	M40	19 - 28	40,5	1 - 4	48,5	29,5	21,7	25
14 582 99	M50	27 - 35	50,5	1 - 4	60,5	34,8	25	10
RAL 7035								
14 583 03	M12	4 - 7	12,5	0,5 - 2	20	12,8	5,6	50
14 583 04	M16	5 - 9	16,5	1 - 4	21	17,7	11	50
14 583 05	M20	8 - 13	20,5	1 - 4	25,5	20	13,4	50
14 583 06	M25	11 - 17	25,5	1 - 4	30,5	21,3	15,3	50
14 583 07	M32	15 - 20	32,5	1 - 4	38,5	24,6	18,6	25
14 583 08	M40	19 - 28	40,5	1 - 4	48,5	29,5	21,7	25
14 583 09	M50	27 - 35	50,5	1 - 4	60,5	34,8	25	10