

TSS

The **TSS** is the latest addition to the TST product range.

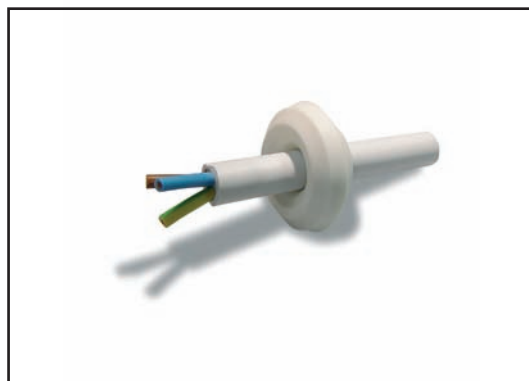
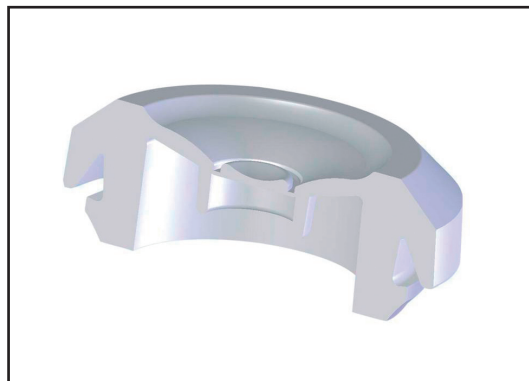
What makes the **TSS** different from existing products on the market are the built-in features that you normally do not find in this otherwise relatively simple product.

TSS handles an exceptionally large cable span.

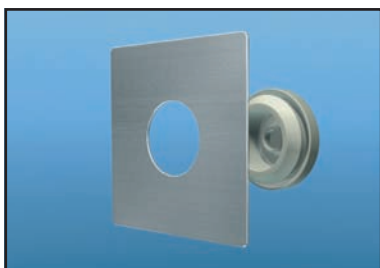
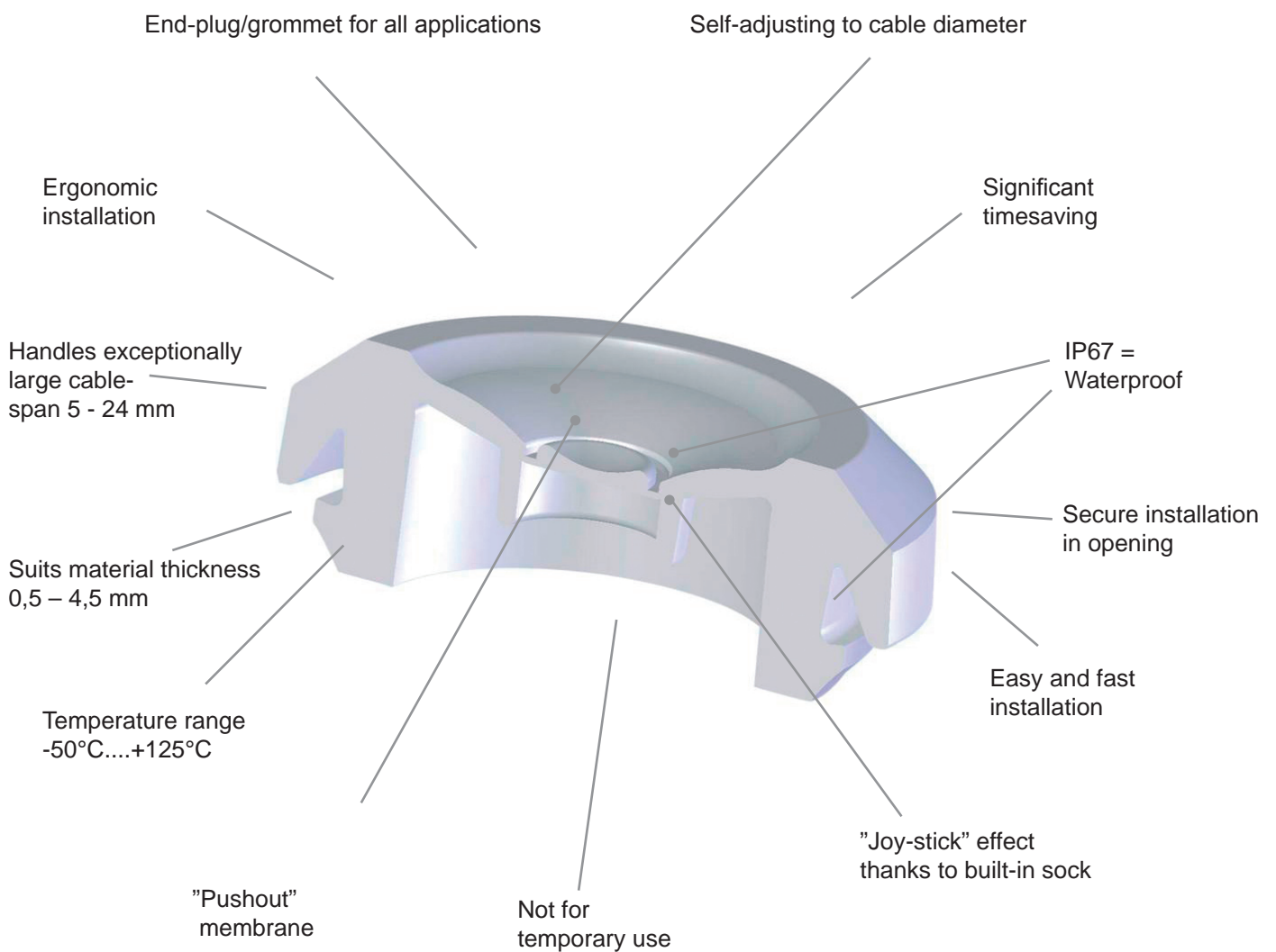
With the "**pushout**" membrane you always have a round opening and are guaranteed to have IP67.

The **TSS** is equipped with a sock that closes tight around the cable and allows for it to be moved around like a "**joy-stick**" in the opening without endangering the IP-classification. So it works extremely well with cables passing through at an angle.

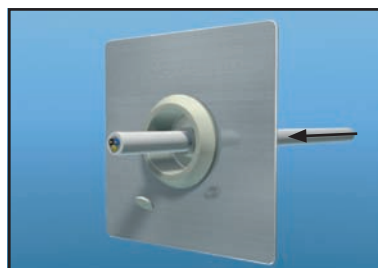
These are some of the features that creates a lot of value added in the **TSS**, and makes it a unique product.



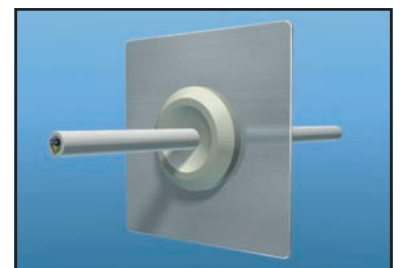
Product features TSS



Push the grommet into the hole.



Pierce the grommet with the cable.



Material TPE - Thermoplastic Elastomer - UL approved material

Mode of protection IP67

Temperature range -50°C...+125°C

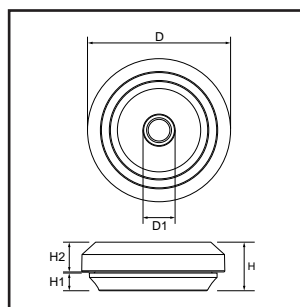
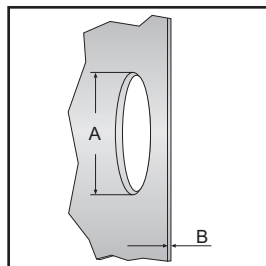
Test standard IEC 60529, IP67

Semko report M16 - 708555-1
M20 - 708555-2
M25 - 708555-3
M32 - 708555-4

Halogen-Free

Suitable for holes in material of 0,5 - 4,5 mm thickness.

- Quick and simple assembly without the use of tools
- Handles exceptionally large cable span
- An end-plug for all applications



E-number	Size	For cable/ pipe Ø mm	A mm	B mm	H mm	H1 mm	H2* mm	D* mm	D1 mm	Pcs pack
RAL 7035										
14 757 11	M16	5 - 10	16,5	0,5 - 3	11	4	6,75	23,5	4	50
14 757 12	M20	6 - 13	20,5	0,5 - 3	11	4	6,75	27,5	5	50
14 757 13	M25	8 - 17	25,5	0,5 - 3,5	11	4	6,75	32,5	7	50
14 757 14	M32	12 - 24	32,5	0,5 - 4,5	11	4	6,75	39,5	11	25
RAL 9005										
14 757 16	M16	5 - 10	16,5	0,5 - 3	11	4	6,75	23,5	4	50
14 757 17	M20	6 - 13	20,5	0,5 - 3	11	4	6,75	27,5	5	50
14 757 18	M25	8 - 17	25,5	0,5 - 3,5	11	4	6,75	32,5	7	50
14 757 19	M32	12 - 24	32,5	0,5 - 4,5	11	4	6,75	39,5	11	25
RAL 9010										
14 757 21	M16	5 - 10	16,5	0,5 - 3	11	4	6,75	23,5	4	50
14 757 22	M20	6 - 13	20,5	0,5 - 3	11	4	6,75	27,5	5	50
14 757 23	M25	8 - 17	25,5	0,5 - 3,5	11	4	6,75	32,5	7	50
14 757 24	M32	12 - 24	32,5	0,5 - 4,5	11	4	6,75	39,5	11	25
RAL XYZ										
TSS M16 XYZ	M16	5 - 10	16,5	0,5 - 3	11	4	6,75	23,5	4	50
TSS M20 XYZ	M20	6 - 13	20,5	0,5 - 3	11	4	6,75	27,5	5	50
TSS M25 XYZ	M25	8 - 17	25,5	0,5 - 3,5	11	4	6,75	32,5	7	50
TSS M32 XYZ	M32	12 - 24	32,5	0,5 - 4,5	11	4	6,75	39,5	11	25

Tapper Sealing Technology AB

Lerbacksgatan 2 | SE-571 38 Nässjö | Sweden

Tel: +46 380 558180 | Fax: +46 380 - 123 03

info@tappersealingtechnology.com | www.tappersealingtechnology.com

